

DATI TECNICI – FLANGE PER PULEGGE DENTATE

TECHNICAL DATA – FLANGES FOR TIMING BELT PULLEYS

Flange non disponibili a stock

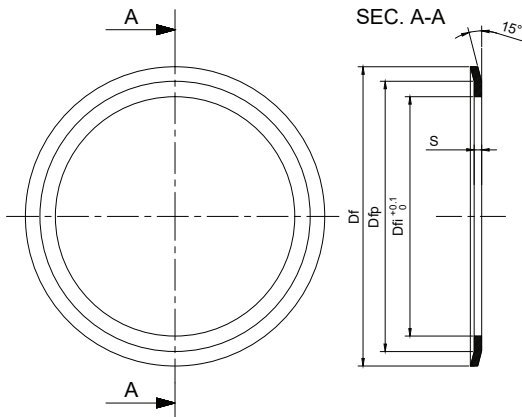
Flanges not available in stock

Codici delle flange Codes of flanges Codes der Bordscheiben Codes des flasques Códigos de las bridas	Tipo di puleggia (Profilo della dentatura) / Type of pulley (Toothing profile) Riemenscheibentyp (Verzahnungsprofil) / Type de poulie (Profil de denture) Tipo de polea (Perfil de los dientes)																
	MXL	XL	L	H	XH	XXH	3M	5M	8M	14M	PC GT 8M	PC GT 14M	T2.5	T5 ST5	T10 ST10	T20	
10		FL001	FL050				FL501							FL003	FL007		
11		FL001	FL050											FL001	FL009		
12		FL002	FL052				FL502	FL014					FL501	FL001	FL013		
13		FL002	FL083										FL501	FL002	FL012		
14	F501A	FL004	FL054	FL059			FL503	FL002					FL502	FL002	FL011		
15		FL004	FL055	FL060			FL516	FL004					FL502	FL004	FL016		
16	FL502	FL005	FL056	FL061			FL504	FL004					FL503	FL005	FL018		
17		FL006	FL057	FL062									FL503	FL005	FL020		
18	FL503	FL007	FL058	FL063	FL155	FL163	FL505	FL006	F055A				FL504	FL006	FL021	FL075	
19		FL007	FL059	FL064	FL156	FL164			F056A				FL505	FL008	FL024		
20	FL503	FL009	FL060	FL076	FL157	FL165	FL517	FL008	F052A				FL505	FL008	FL024	FL080	
21		FL009	FL061	FL066	FL158	FL167	FL518	FL009					FL505	FL009	FL026		
22	FL504	FL010	FL062	FL067	FL159	FL169	FL518	FL015	FL053		FL053		FL512	FL009	FL027	FL085	
23		FL013	FL063	FL068					F059A				FL512	FL010	FL027		
24	FL505	FL012	FL063	FL070	FL161	FL173	FL518	FL013	FL069				FL512	FL013	FL029	FL086	
25		FL012	FL064	FL071	FL162						FL061		FL506	FL012	FL029	FL090	
26		FL011	FL065	FL072	FL163	FL178	FL508	FL012	FL061				FL507	FL012	FL031		
27		FL011	FL065	FL074	FL164				F062A				FL507	FL011	FL032		
28	FL506	FL016	FL066	FL075	FL165		FL509	FL011	FL079	FL153	FL079	FL153	FL507	FL011	FL033		
29		FL016		FL075									FL507	FL016			
30	FL506	FL018	FL068	FL078	FL167		FL509	FL016	FL073	FL154	FL073	FL154	FL508	FL016	FL035	FL100	
31	F506A																
32	FL507	FL020	FL070	FL080	FL169		FL510	FL018	FL076	FL160	FL076	FL160	FL509	FL018	FL038		
33			FL071	FL081									FL509				
34		FL022	FL072	FL081	FL170			FL020	FL066	FL166	FL066	FL171	FL509	FL021	FL072		
35		FL022	FL072	FL085					F067A				FL509	FL022			
36	FL508	FL023	FL074	FL085			FL519	FL021	FL068	FL168	FL068	FL168	FL510	FL023	FL043		
37										F168A			FL510	FL023			
38		FL024		FL086				FL024	FL070	FL172	FL070	FL172	FL510	FL024	FL078		
39		FL024						F024A									
40	FL509	FL026	FL078	FL090			FL513	FL025	FL077	FL162	FL077	FL174	FL511	FL024	FL047		
41		FL026															
42	FL509	FL027	FL080	FL094									FL511	FL026			
43		FL027															
44	FL510	FL027	FL081	FL095			FL520	FL027	FL075	FL175		FL175	FL513	FL027			
45			FL081	FL096					F075A		FL075			FL027	FL085		
46									F076A					FL029			
47										F180A							
48		FL029	FL085	FL0100				FL029	FL078	FL180	FL078	FL180	FL513	FL029	FL086		
50										F182A	FL080	FL169	FL514	FL031			
56		FL035						FL033	FL085	FL182	FL085	FL182					
60	F513A	FL038							F086A		FL086		FL515	FL038	FL100		
64	F514A							FL038	FL090	FL184	FL090						
72		F043A						FL043	FL097								
80									F100A								

Numero dei denti della puleggia (Z) / Teeth number of pulley (Z) / Número de dientes de la polea (Z) / Scheibenzähnezahl (Z)

DATI TECNICI - DIMENSIONI DELLE FLANGE TECHNICAL DATA - FLANGE DIMENSIONS

**Dimensioni delle flange / Flange dimensions
Bordscheiben-Abmessungen / Dimension de flasque
Dimensiones de las bridas**



Codice flangia Flange code Bordscheiben- Code Code flasque Código brida	Dimensioni delle flange Flange dimensions Bordscheiben-Abmessungen Dimension de flasque Dimensiones de las bridas				Codice flangia Flange code Bordscheiben- Code Code flasque Código brida	Dimensioni delle flange Flange dimensions Bordscheiben-Abmessungen Dimension de flasque Dimensiones de las bridas			
	Df	Dfi	Dfp	S		Df	Dfi	Dfp	S
FL050	37,0	25,0	33,0	1,5	FL154	138,0	112,0	131,0	2,5
FL051	39,0	28,0	34,5	1,5	FL155	140,0	107,0	125,0	2,5
FL052	43,0	31,0	39,0	1,5	FL156	146,0	107,0	133,0	2,5
F052A	57,0	40,0	51,0	1,5	FL157	155,0	107,0	139,0	2,5
FL053	60,0	47,0	57,0	1,5	FL158	160,0	120,0	148,0	2,5
FL054	48,0	37,0	42,0	1,5	FL159	170,0	120,0	153,0	2,5
FL055	51,0	38,5	45,0	1,5	FL160	154,0	122,0	142,0	2,5
F055A	51,0	37,5	46,0	1,5	FL161	184,0	135,0	168,0	2,5
FL056	54,0	43,0	48,0	1,5	FL162	188,0	150,0	176,0	2,5
F056A	54,0	40,0	48,0	1,5	FL163	198,0	150,0	180,0	2,5
FL057	57,0	46,0	51,0	1,5	FL164	205,0	160,0	189,0	2,5
FL058	60,0	48,0	54,2	1,5	FL165	212,0	162,0	200,0	2,5
FL059	64,0	47,0	57,0	1,5	FL166	160,0	130,0	150,0	2,5
F059A	65,0	49,0	59,0	1,5	FL167	227,0	176,0	210,0	2,5
FL060	66,5	53,0	60,2	1,5	FL168	168,0	135,0	162,0	2,5
FL061	70,0	53,0	64,0	1,5	F168A	180,0	126,0	165,0	2,5
FL062	75,0	57,0	68,0	1,5	FL169	240,0	192,0	224,0	2,5
F062A	76,0	56,0	68,5	1,5	FL170	256,0	220,0	240,0	2,5
FL063	79,0	60,0	72,5	1,5	FL171	160,0	136,0	150,0	2,5
FL064	82,5	64,0	76,0	1,5	FL172	183,0	145,0	170,0	2,5
FL065	86,0	68,0	81,5	1,5	FL173	267,0	220,0	240,0	2,5
FL066	91,0	73,0	86,0	1,5	FL174	188,0	160,0	177,0	2,5
FL067	94,0	76,0	88,0	1,5	FL175	211,0	173,0	198,0	2,5
F067A	96,0	78,0	89,0	1,5	FL177	297,0	249,0	280,0	2,5
FL069	66,0	52,0	61,5	1,5	FL178	290,0	230,0	260,0	2,5
FL070	102,0	82,5	97,0	1,5	FL180	226,0	190,0	214,0	2,5
FL071	102,0	86,0	100,0	1,5	F180A	226,0	185,0	208,0	2,5
FL072	112,0	91,0	105,5	1,5	FL182	256,0	225,0	247,0	2,5
FL073	83,0	68,0	76,5	1,5	F182A	265,0	205,0	230,0	2,5
FL074	115,0	94,0	109,0	1,5	FL184	296,0	260,0	287,0	2,5
FL075	120,0	99,5	112,5	1,5					
F075A	120,0	101,0	114,0	1,5					
FL076	87,0	72,0	82,5	1,5					
F076A	124,0	104,0	117,0	1,5					
FL077	106,0	90,0	101,0	1,5					
FL078	128,0	107,0	121,0	1,5					
FL079	75,0	60,0	70,5	1,5					
FL080	135,0	115,0	128,5	1,5					
FL081	142,0	120,0	137,0	1,5					
FL082	82,5	67,0	76,0	1,5					
FL083	44,0	32,5	40,5	1,5					
FL085	150,0	130,0	145,0	1,5					
FL086	158,0	138,5	153,0	1,5					
F086A	159,0	140,0	153,0	1,5					
FL090	168,0	148,0	161,0	1,5					
FL094	180,0	154,0	174,0	1,5					
FL095	184,0	162,0	177,0	1,5					
FL096	192,0	165,0	181,5	1,5					
FL097	192,0	173,0	187,0	1,5					
FL100	200,0	180,0	193,0	1,5					
F100A	212,0	190,0	204,0	1,5					
FL153	128,0	107,0	124,0	2,5					

Codice flangia Flange code Bordscheiben- Code Code flasque Código brida	Dimensioni delle flange Flange dimensions Bordscheiben- Abmessungen Dimension de flasque Dimensiones de las bridas			
	Df	Dfi	Dfp	S
FL501	13,0	6,0	10,0	0,5
F501A	12,0	6,5	9,0	0,5
FL502	15,0	8,0	12,0	0,5
FL503	16,0	9,5	13,0	0,5
FL504	17,5	11,6	14,5	0,5
FL505	20,0	12,2	16,5	0,5
FL506	25,0	14,5	21,5	0,5
F506A	25,0	17,0	21,0	0,5
FL507	26,0	17,8	24,0	0,5
FL508	28,0	20,0	25,0	0,5
FL509	32,0	23,0	27,5	0,5
FL510	36,0	25,0	31,0	0,5
FL511	38,0	26,5	34,0	0,5
FL512	22,0	14,5	19,0	0,5
FL513	42,0	30,5	38,0	0,5
F513A	43,0	32,0	39,0	0,5
FL514	44,0	32,5	40,5	0,5
F514A	46,0	36,0	42,0	0,5
FL515	51,0	40,0	47,0	0,5
FL516	17,5	10,5	14,5	0,5
FL517	23,0	14,0	20,0	0,5
FL518	25,0	15,0	21,5	0,5
FL519	39,0	28,0	34,5	0,5
FL520	48,0	37,0	43,5	0,5

Codice flangia Flange code Bordscheiben- Code Code flasque Código brida	Dimensioni delle flange Flange dimensions Bordscheiben- Abmessungen Dimension de flasque Dimensiones de las bridas			
	Df	Dfi	Dfp	S
FL001	23,0	12,5	18,0	1,0
FL002	25,0	15,0	21,5	1,0
FL003	19,5	12,0	17,5	1,0
FL004	28,0	17,8	24,0	1,0
FL005	32,0	20,0	26,0	1,0
FL006	32,0	23,0	27,5	1,0
FL007	35,0	23,0	30,5	1,0
FL008	36,0	25,0	31,0	1,0
FL009	38,0	26,5	34,0	1,0
FL010	41,0	30,0	36,0	1,0
FL011	48,0	37,0	43,5	1,0
FL012	44,0	32,5	40,5	1,0
FL013	42,0	30,5	38,0	1,0
FL014	23,0	14,0	20,0	1,0
FL015	39,0	28,0	34,5	1,0
FL016	51,0	40,0	47,0	1,0
FL018	54,0	43,0	50,5	1,0
FL020	57,0	47,0	51,5	1,0
FL021	60,0	47,0	57,0	1,0
FL022	61,0	49,0	56,5	1,0
FL023	64,0	47,0	57,0	1,0
FL024	66,5	52,0	63,0	1,0
F024A	66,0	54,0	62,0	1,0
FL025	71,0	56,0	64,0	1,0
FL026	70,0	53,0	66,5	1,0
FL027	75,0	60,0	68,5	1,0
FL029	83,0	68,0	78,0	1,0
FL031	87,0	72,0	82,5	1,0
FL032	91,0	76,0	85,5	1,0
FL033	93,0	80,0	89,0	1,0
FL035	97,0	83,0	93,8	1,0
FL038	106,0	90,0	101,0	1,0
FL043	119,0	103,0	113,5	1,0
F043A	124,0	108,0	117,0	1,0
FL047	131,0	115,0	125,5	1,0

Informazioni tecniche Technical information Technische Informationen Informations techniques Información técnica
Materiale S235JR
Material S235JR
Werkstoff S235JR
Matière S235JR
Material S235JR
Sbavate e senza difetti sulla superficie
Deburred and without defect on surface
Entgratet und mit mängelfreier Oberfläche
Ébavurées et sans défaut sur la surface
Desbarbado y sin defecto en la superficie