



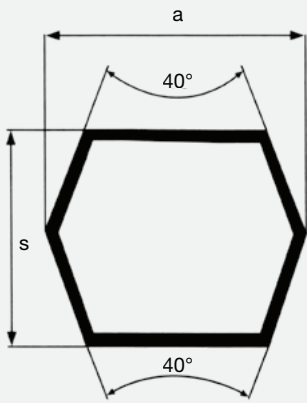
MEGADYNE V-BELTS

DOUBLE V-BELTS

ESAFLEX

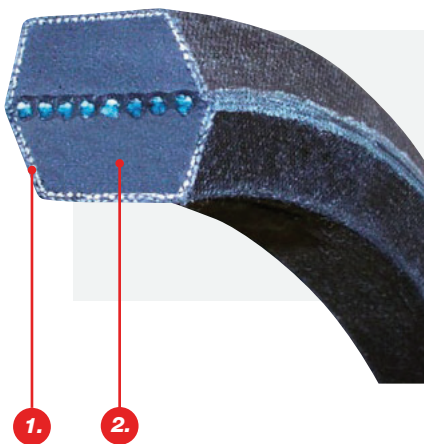
DOUBLE V-BELTS

ESAFLEX



BELTS CHARACTERISTICS

SECTION	AA	BB	CC
a (mm)	13	17	22
s (mm)	10	14	19
Pitch length - internal length = Δi (mm)	16	22	30
External length - pitch length = Δe (mm)	16	22	30
weight (gr/m)	150	238	429
Min. Pulley diam. (Mm)	80	140	224
Working temperature	-30°C / +80°C		
Relevant standards	RMA/MPTA IP2 21 - DIN 7722 - ISO 5289		
Relevant antistatic standard	ISO 1813		
Materials	CR blend - polyester cord - cotton/polyester fabric		



DOUBLE ANGLE V-BELT

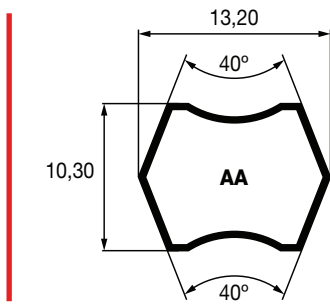
Ideally suited for serpentine drives where power needs to be transmitted equally from both sides of the belt. Double wrapped cotton-neoprene cover is added for excellent resistance to abrasive wear, heat, ozone, sunlight, grease, oil, or dirt.

Centrally located cord and special synthetic rubber compounds assure long belt life and a smooth and capable power capacity.

- 1.** Double-wrapped neoprene and cotton fabric
- 2.** The core of the belt is made of a special blend of compounds to provide a long life and a superior power capacity

DOUBLE V-BELTS

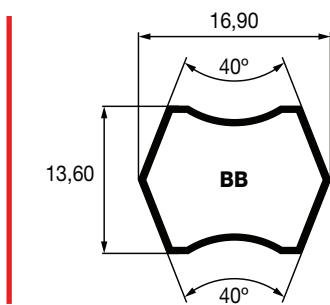
ESAFLEX



AA SECTION	
CODE	LP (mm)
AA 51	1334
AA 60	1564
AA 61	1584
AA 68	1764
AA 71	1839
AA 75	1939
AA 77	1994
AA 80	2069
AA 81	2094

AA SECTION	
CODE	LP (mm)
AA 85	2194
AA86	2224
AA88	2274
AA 90	2324
AA 91	2349
AA 95	2449
AA 96	2474
AA 105	2704
AA 108	2784

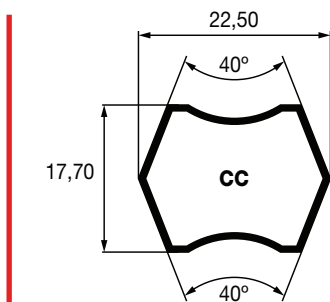
AA SECTION	
CODE	LP (mm)
AA 112	2879
AA 116	2984
AA 120	3084
AA 128	3289
AA 147	3769
AA 148	3794
AA152	3899
AA159	4074
AA 163	4179



BB SECTION	
CODE	LP (mm)
BB 50	1323
BB 60	1578
BB 68	1783
BB 71	1858
BB 75	1958
BB 81	2108
BB 85	2213
BB 90	2338
BB 92	2393
BB 94	2443
BB 97	2518

BB SECTION	
CODE	LP (mm)
BB 105	2723
BB 112	2898
BB 118	3053
BB 120	3103
BB 121	3128
BB 122	3153
BB 128	3308
BB 135	3483
BB 144	3713
BB 154	3968
BB 155	3993

BB SECTION	
CODE	LP (mm)
BB 158	4068
BB 162	4168
BB 173	4448
BB 174	4473
BB 180	4628
BB 184	4728
BB 190	4878
BB 195	5008
BB 210	5388
BB 240	6151
BB 270	6913



CC SECTION	
CODE	LP (mm)
CC 81	2130
CC 85	2235
CC 86	2260
CC 96	2515
CC 105	2740
CC 112	2920
CC 120	3120
CC 128	3325
CC 144	3730

CC SECTION	
CODE	LP (mm)
CC 153	3960
CC 158	4090
CC 162	4190
CC 173	4470
CC 180	4650
CC 193	4980
CC 195	5030
CC 210	5410
CC 234	6019

CC SECTION	
CODE	LP (mm)
CC 240	6171
CC 270	6933
CC 300	7695
CC 330	8457
CC 360	9219
CC 390	9981
CC 420	10743